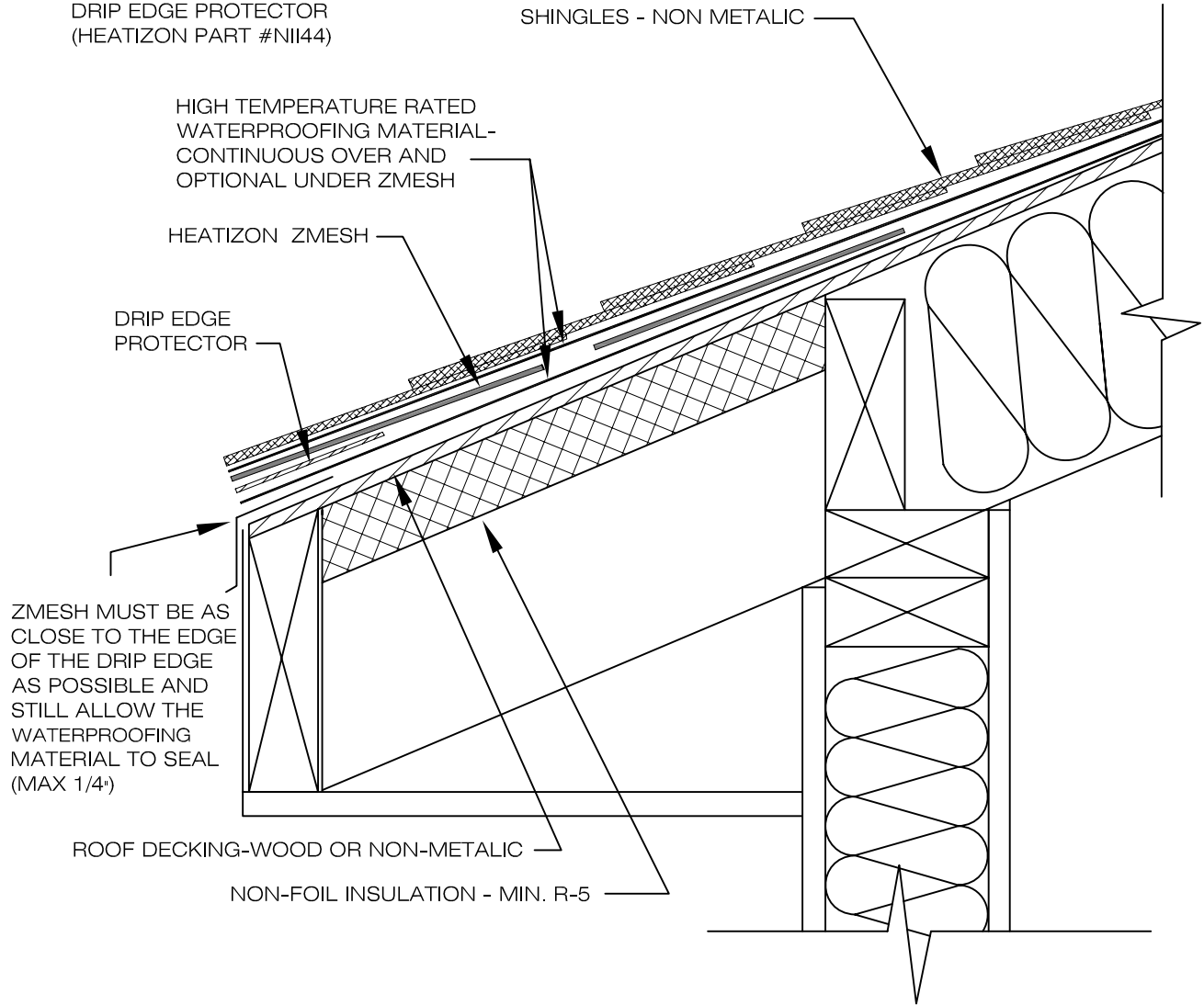


**SOLUTIONS:**  
 PREVENTS ICE DAMS  
 MELTS SNOW AND ICE  
 REDUCES ICICLES  
 MANAGES SNOW LOADS  
 MELTS SNOW TO PREVENT SLIDING

**WARNING!!**  
 DO NOT CUT OR DAMAGE ZMESH.  
 DO NOT ALLOW ZMESH TO COME  
 INTO CONTACT WITH ANY OTHER  
 ELECTRICALLY CONDUCTIVE  
 MATERIAL. DO NOT FASTEN  
 THROUGH ANY ELECTRICALLY  
 CONDUCTIVE MATERIAL AND  
 ZMESH SIMULTANEOUSLY.

**NOTE:**  
 DRIP EDGE PROTECTOR  
 (HEATIZON PART #NII44)

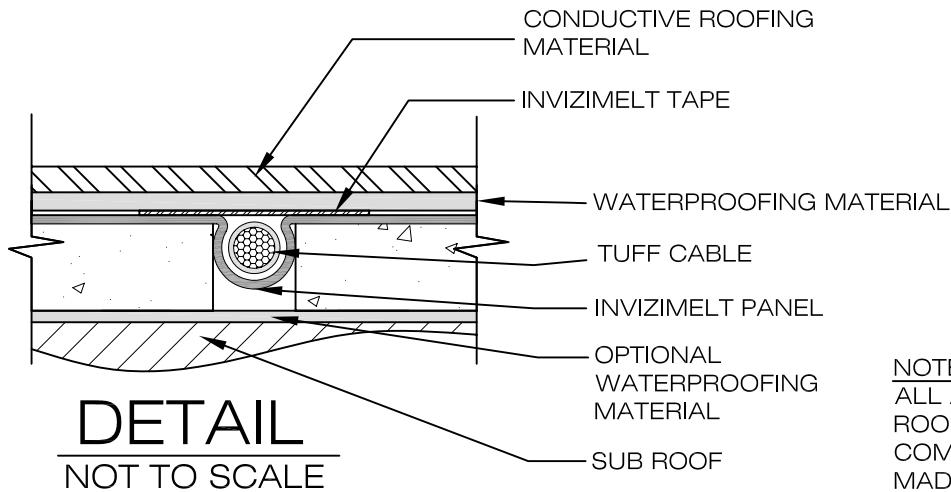
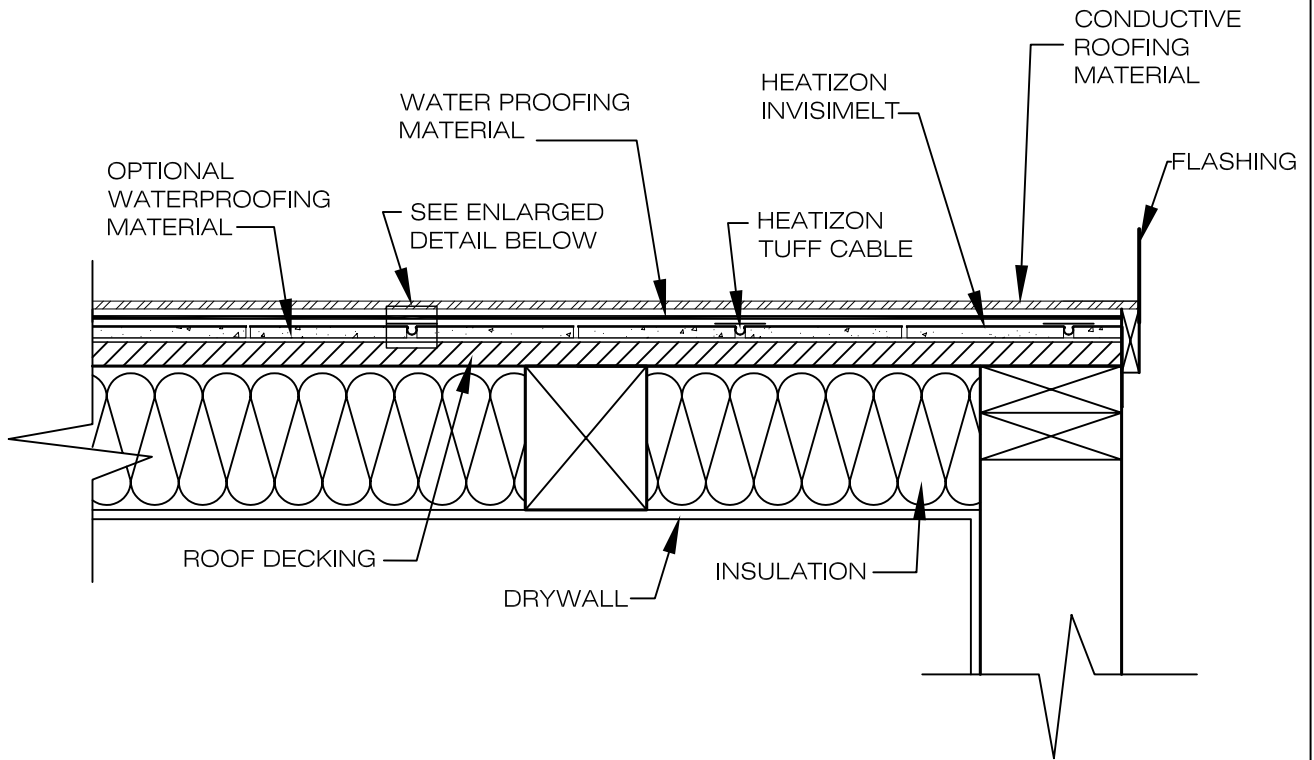


DRAWING NO.: <b>RD-1</b>	<b>EAVE DETAIL - ZMESH UNDER ASPHALT SHINGLES</b>	DRAWING BY: RJB
		DATE: FEB 2013

**HEATIZON SYSTEMS**  
*advanced floor heating/ snow and ice removal systems*  
 4137 SOUTH 500 WEST, MURRAY, UTAH 84123 PH (801) 293-1232 FAX (801) 293-3077  
 ©2013

When installing Heatizon Systems products, strict compliance with the National Electrical Code, the Canadian Electrical Code, state and local buildings codes, and Heatizon Systems Design and Installation Manual is essential.

**WARNING!!**  
DO NOT CUT OR DAMAGE  
HEATIZON TUFF CABLE OR ITS  
INSULATOR IN ANY WAY



**NOTE:**  
ALL ATTACHMENTS FOR  
ROOFING SYSTEM OR OTHER  
COMPONENTS SHOULD BE  
MADE PRIOR TO INSTALLATION  
OF WATERPROOFING COVERING

DRAWING NO.:

**RD-3I**

**FLAT ROOF - TUFF CABLE IN INVISIMELT  
UNDER CONDUCTIVE ROOF**

DRAWING BY:

ACI

DATE:

NOV 2009

**HEATIZON SYSTEMS**

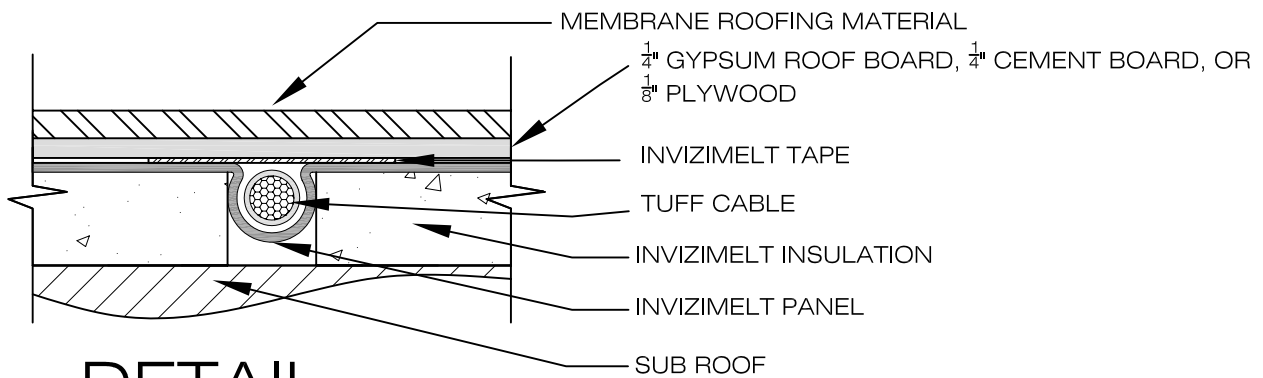
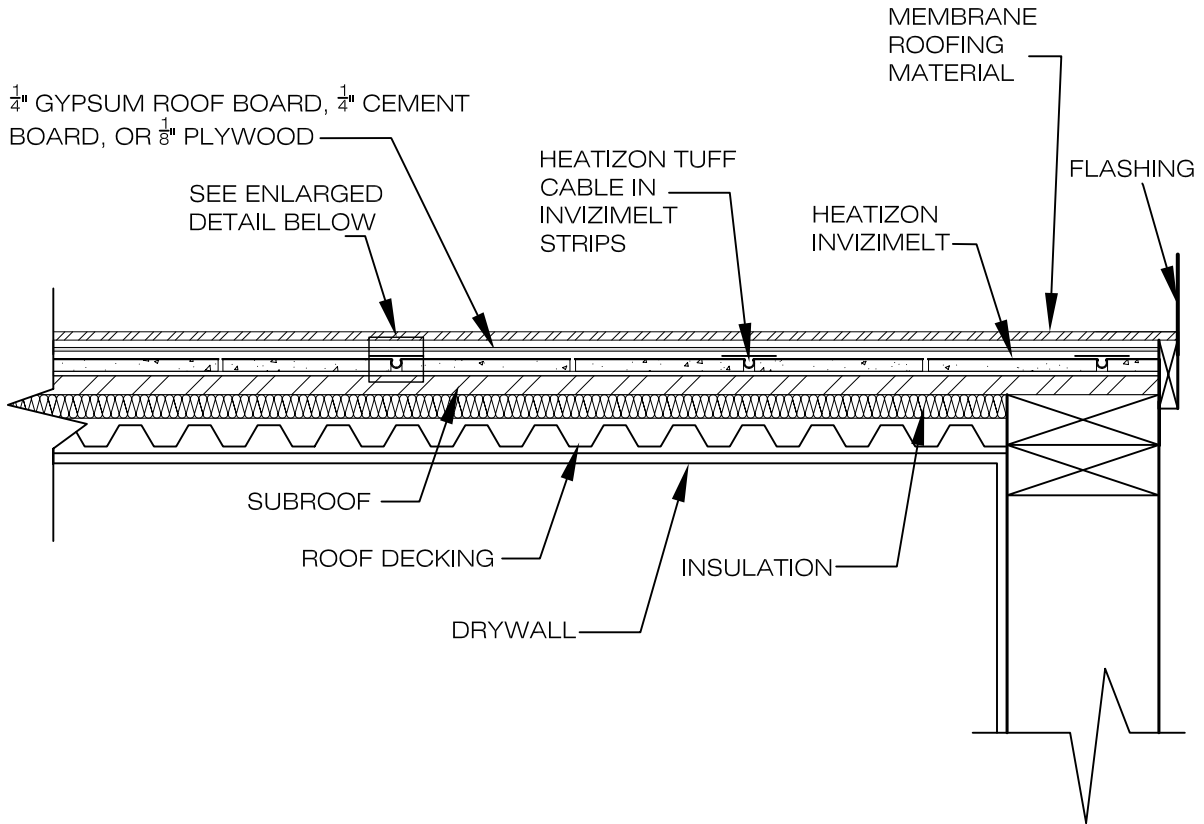
*advanced floor heating/ snow and ice removal systems*

4137 SOUTH 500 WEST, MURRAY, UTAH 84123 PH (801) 293-1232 FAX (801) 293-3077

©2009

**WARNING!!**  
DO NOT CUT OR DAMAGE HEATIZON TUFF CABLE OR ITS INSULATOR IN ANY WAY

**NOTE:**  
ALL ATTACHMENTS FOR ROOFING SYSTEM OR OTHER COMPONENTS SHOULD BE MADE PRIOR TO INSTALLATION OF WATERPROOFING COVERING



**DETAIL**  
NOT TO SCALE

DRAWING NO.: <b>RD-3IM</b>	<b>FLAT ROOF - TUFF CABLE IN INVIZIMELT UNDER MEMBRANE ROOF</b>	DRAWING BY: ACI
		DATE: NOV 2009

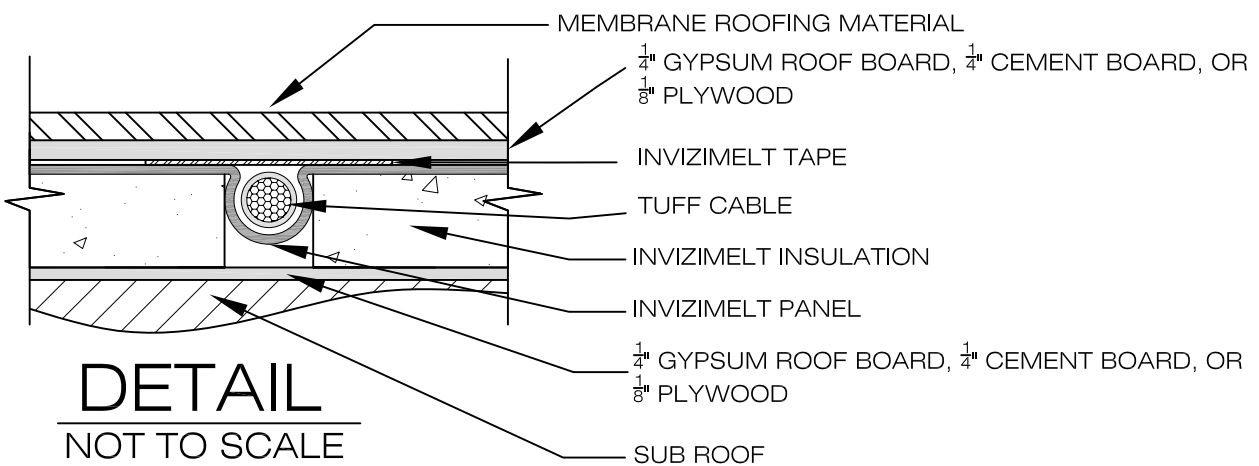
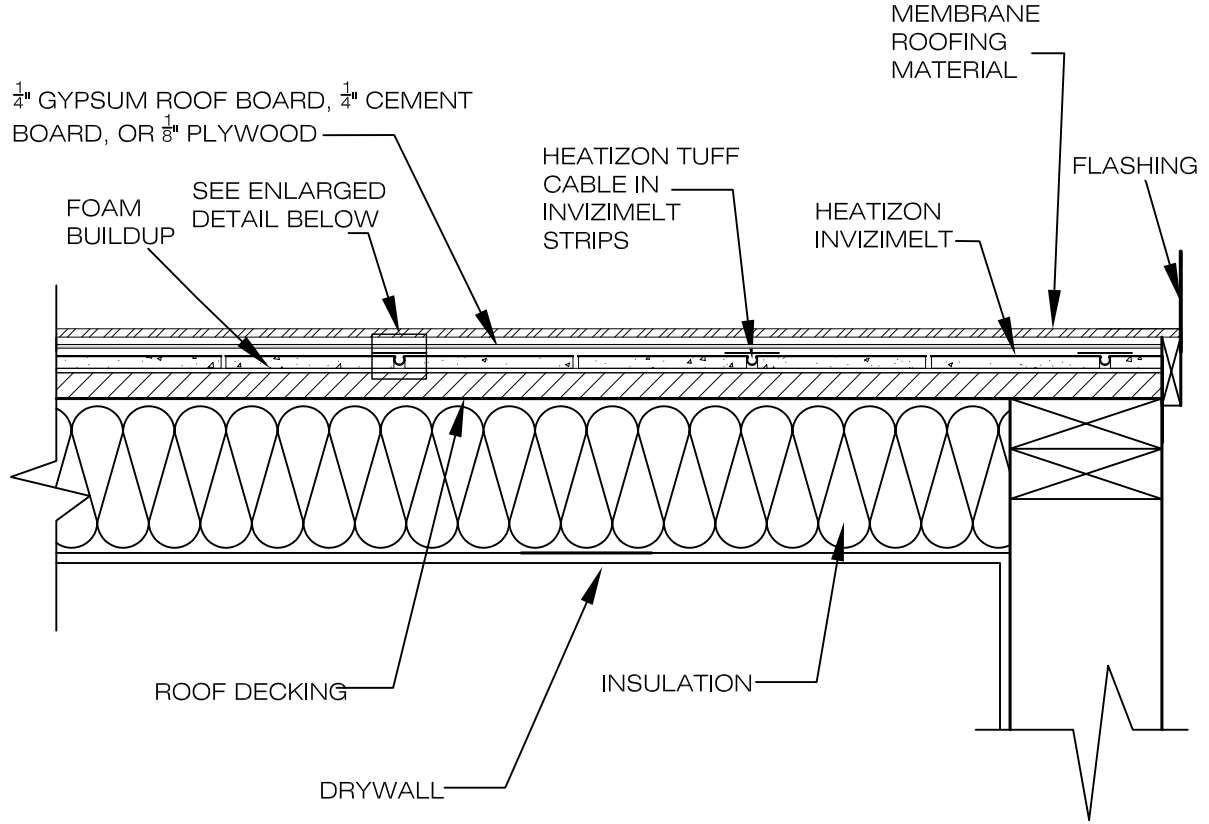
**HEATIZON SYSTEMS**

*advanced floor heating/ snow and ice removal systems*  
4137 SOUTH 500 WEST, MURRAY, UTAH 84123 PH (801) 293-1232 FAX (801) 293-3077  
©2009

When installing Heatizon Systems products, strict compliance with the National Electrical Code, the Canadian Electrical Code, state and local buildings codes, and Heatizon Systems Design and Installation Manual is essential.

**WARNING!!**  
DO NOT CUT OR DAMAGE HEATIZON  
TUFF CABLE OR ITS INSULATOR IN  
ANY WAY

**NOTE:**  
ALL ATTACHMENTS FOR  
ROOFING SYSTEM OR  
OTHER COMPONENTS  
SHOULD BE MADE PRIOR TO  
INSTALLATION OF  
WATERPROOFING  
COVERING

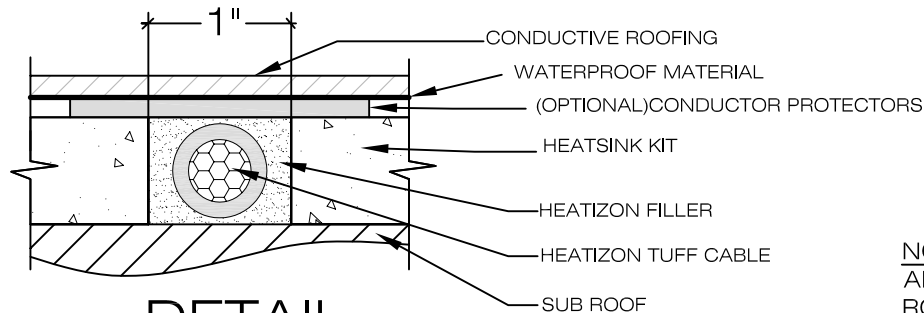
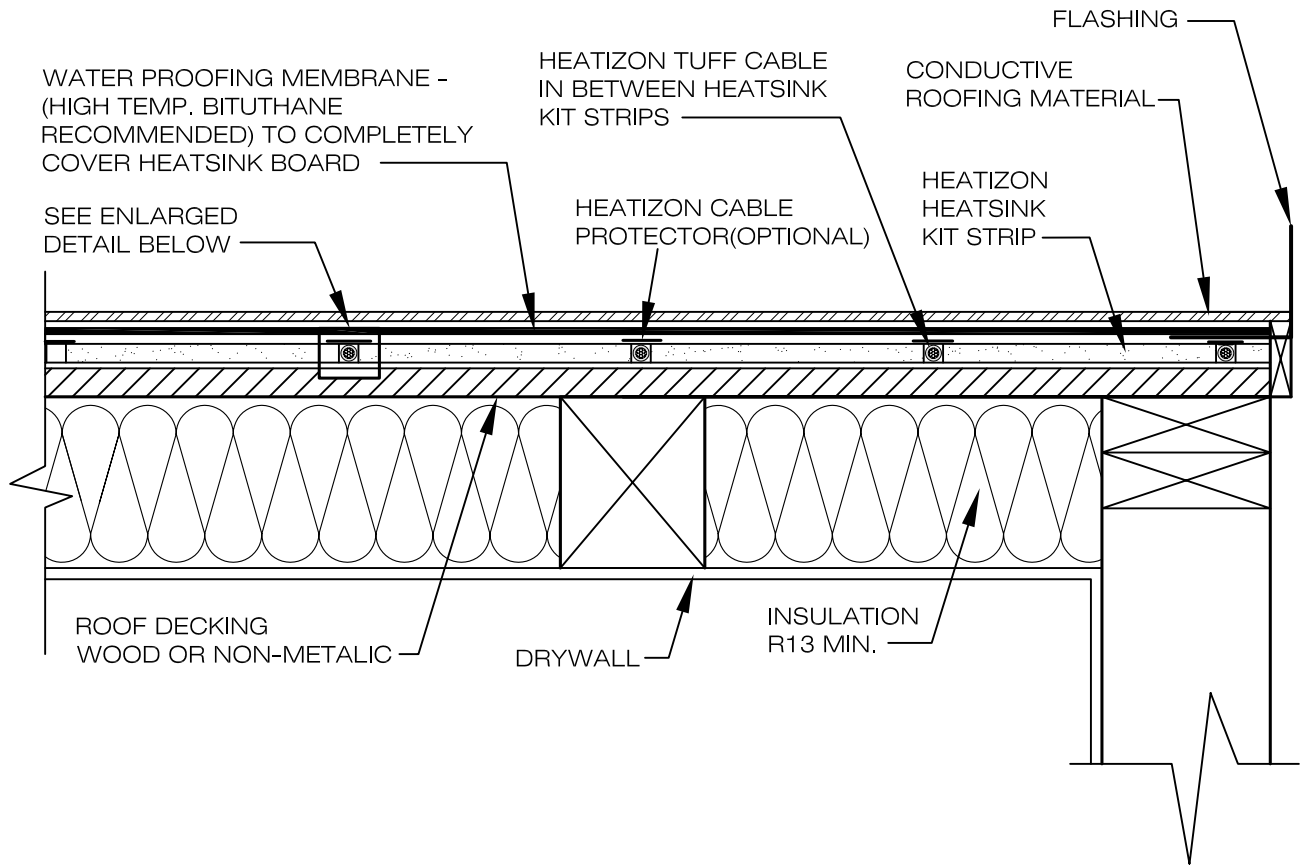


DRAWING NO.: <b>RD-3IW</b>	<b>FLAT ROOF - TUFF CABLE IN INVIZIMELT UNDER MEMBRANE ROOF</b>	DRAWING BY: ACI
		DATE: NOV 2009

**HEATIZON SYSTEMS**  
*advanced floor heating/ snow and ice removal systems*  
4137 SOUTH 500 WEST, MURRAY, UTAH 84123 PH (801) 293-1232 FAX (801) 293-3077  
©2009

When installing Heatizon Systems products, strict compliance with the National Electrical Code, the Canadian Electrical Code, state and local buildings codes, and Heatizon Systems Design and Installation Manual is essential.

**WARNING!!**  
 DO NOT CUT OR DAMAGE HEATIZON HEATING  
 CABLE ELEMENT OR IT'S INSULATOR IN ANY  
 WAY



**DETAIL**  
 NOT TO SCALE

**NOTE:**  
 ALL ATTACHMENTS FOR  
 ROOFING SYSTEM OR OTHER  
 COMPONENTS SHOULD BE  
 MADE PRIOR TO INSTALLATION  
 OF WATER-PROOFING  
 COVERING

DRAWING NO.:  
**RD-3**

**FLAT ROOF - HEATIZON TUFF CABLE IN  
 HEATSINK KIT UNDER CONDUCTIVE  
 ROOFING MATERIALS**

DRAWING BY:  
 ACI  
 DATE:  
 NOV 2009

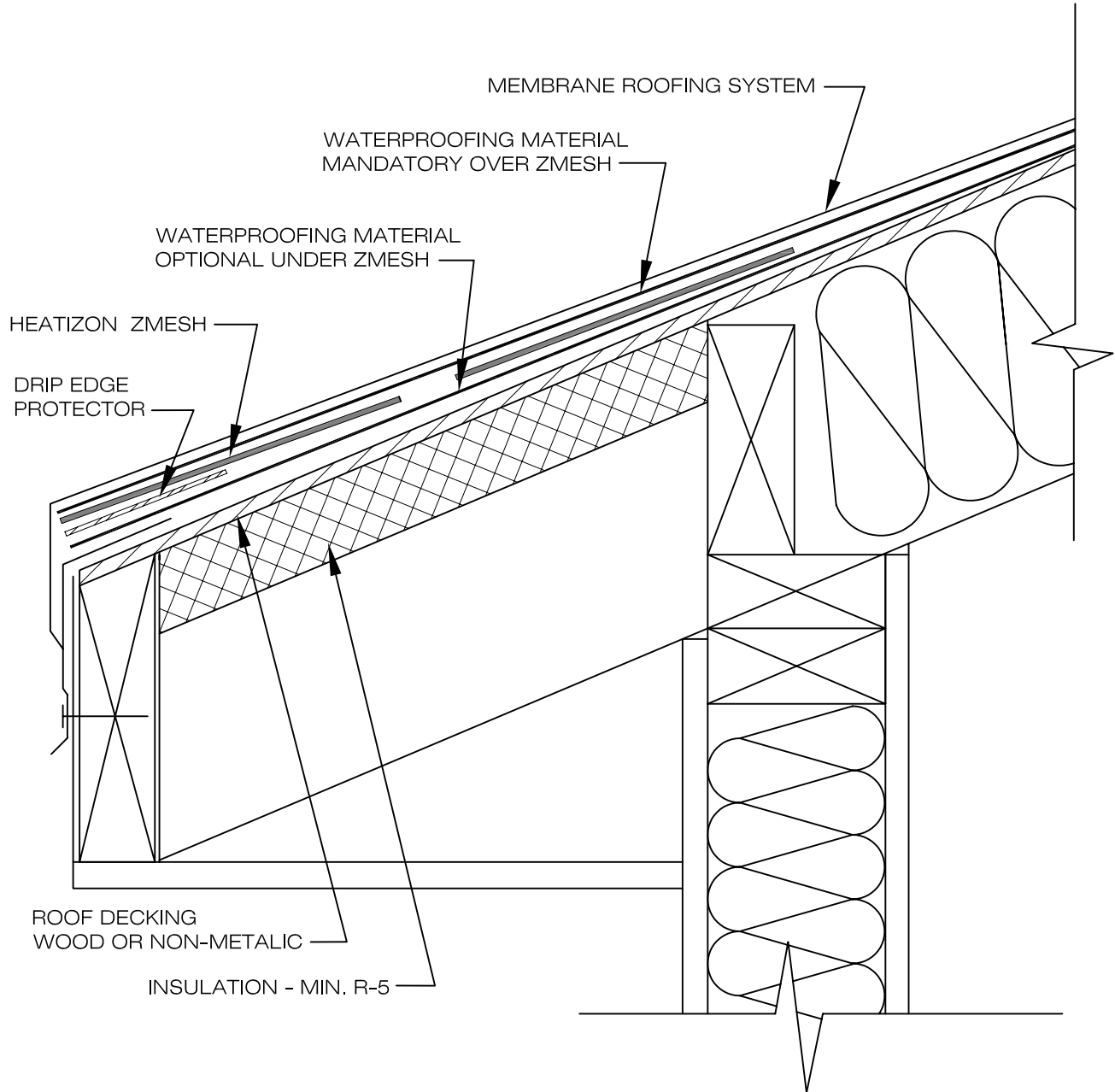
**HEATIZON SYSTEMS**

*advanced floor heating/ snow and ice removal systems*  
 4137 SOUTH 500 WEST, MURRAY, UTAH 84123 PH (801) 293-1232 FAX (801) 293-3077

©2009

**WARNING!!**  
 DO NOT CUT OR DAMAGE ZMESH.  
 DO NOT ALLOW ZMESH TO COME  
 INTO CONTACT WITH ANY OTHER  
 ELECTRICALLY CONDUCTIVE  
 MATERIAL. DO NOT FASTEN  
 THROUGH ANY ELECTRICALLY  
 CONDUCTIVE MATERIAL AND  
 ZMESH SIMULTANEOUSLY.

**NOTE:**  
 DRIP EDGE PROTECTOR (HEATIZON PART #NII44)



DRAWING NO.:

**RD-4E**

**EAVE DETAIL - ZMESH UNDER MEMBRANE  
 ROOF**

DRAWING BY:

ACI

DATE:

NOV 2009

**HEATIZON SYSTEMS**

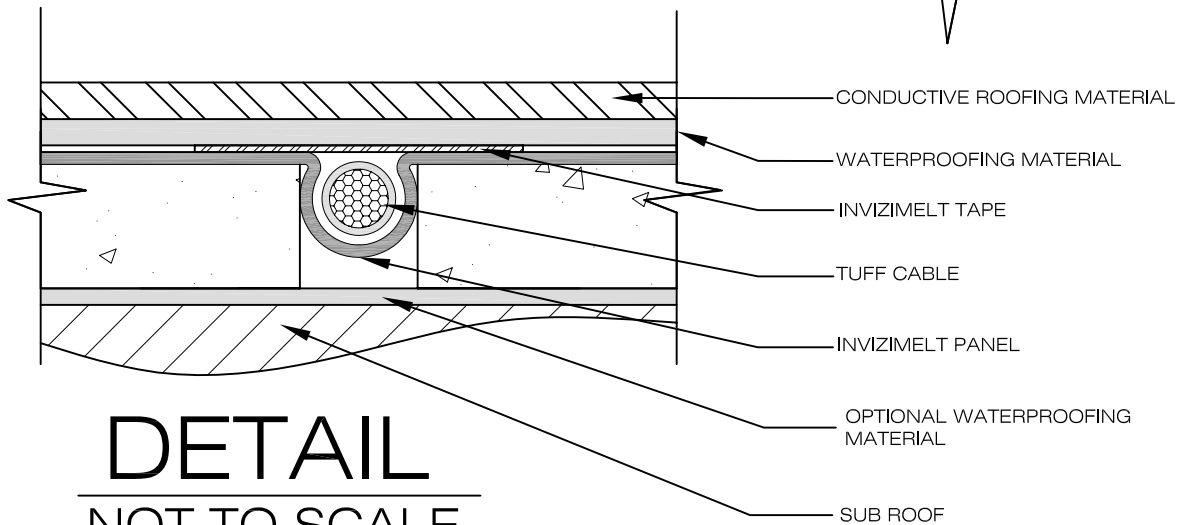
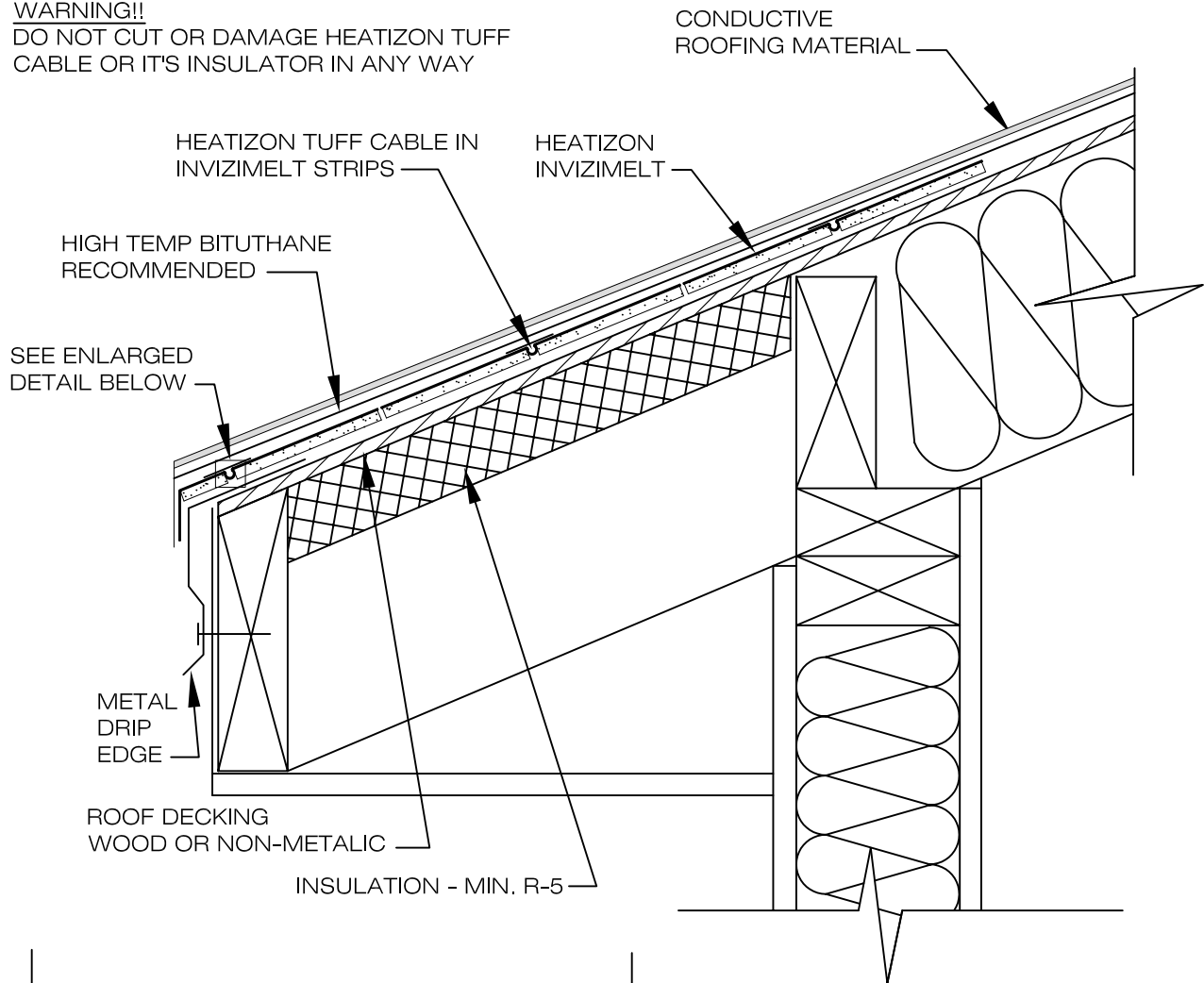
*advanced floor heating/ snow and ice removal systems*

4137 SOUTH 500 WEST, MURRAY, UTAH 84123 PH (801) 293-1232 FAX (801) 293-3077

©2009

When installing Heatizon Systems products, strict compliance with the National Electrical Code, the Canadian Electrical Code, state and local buildings codes, and Heatizon Systems Design and Installation Manual is essential.

**WARNING!!**  
DO NOT CUT OR DAMAGE HEATIZON TUFF  
CABLE OR ITS INSULATOR IN ANY WAY



**DETAIL**  
NOT TO SCALE

DRAWING NO.:

**RD-4I**

**EAVE DETAIL - TUFF CABLE IN INVIZIMELT  
UNDER CONDUCTIVE ROOF**

DRAWING BY:

ACI

DATE:

NOV 2009

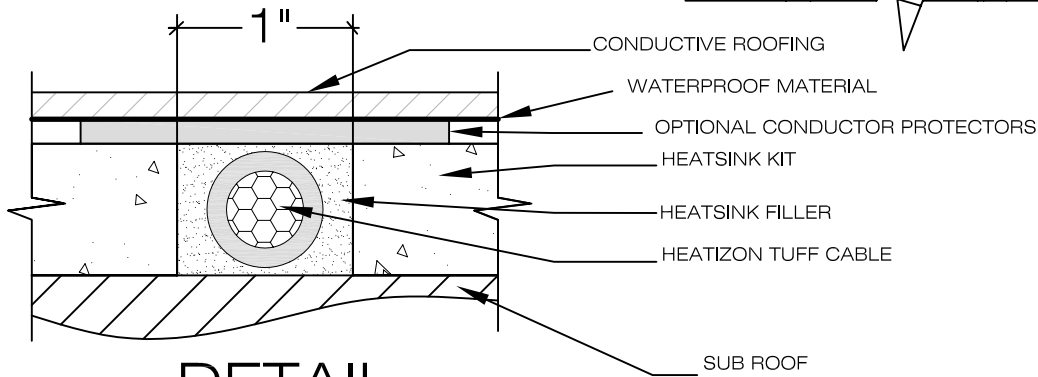
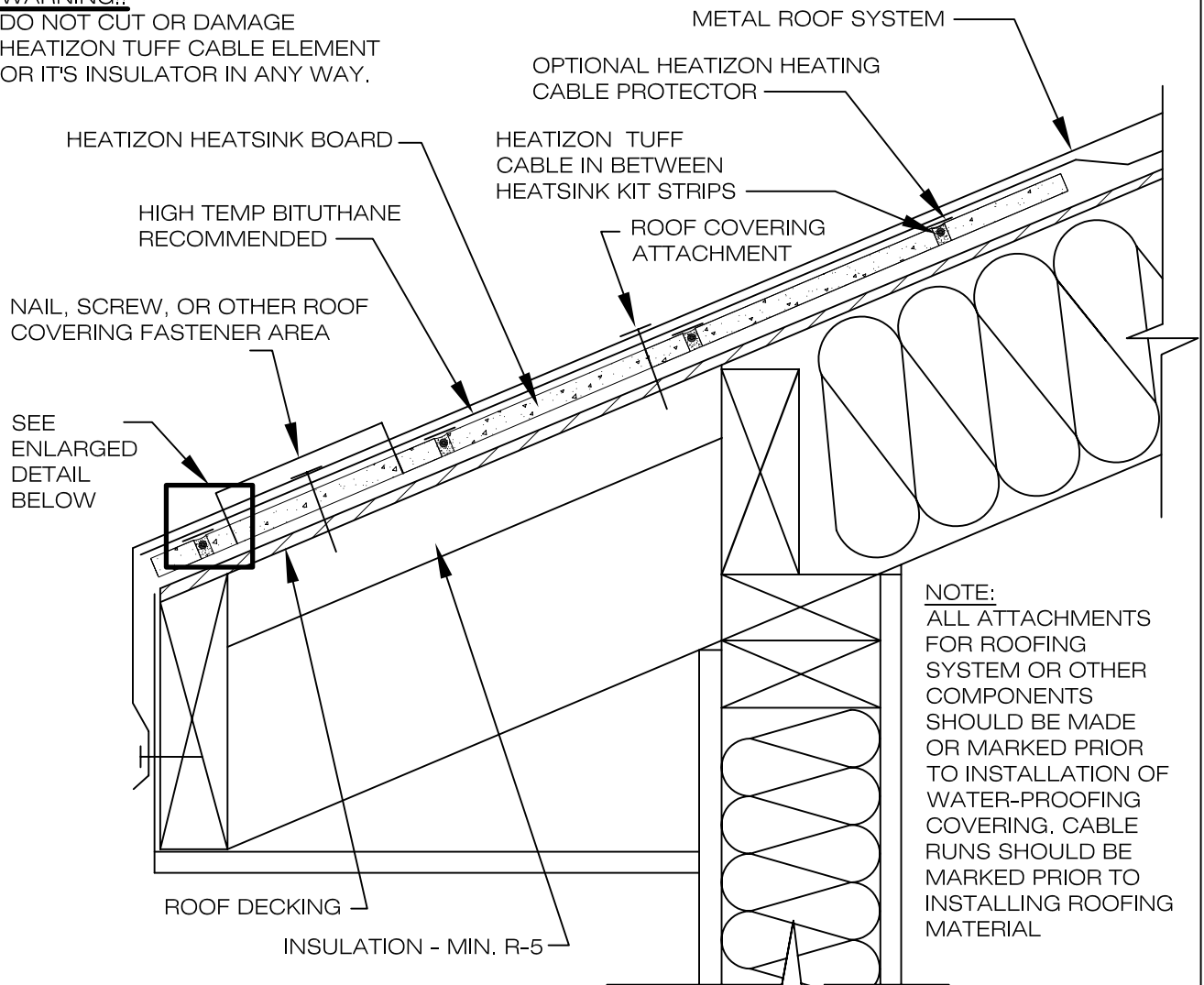
**HEATIZON SYSTEMS**

*advanced floor heating/ snow and ice removal systems*

4137 SOUTH 500 WEST, MURRAY, UTAH 84123 PH (801) 293-1232 FAX (801) 293-3077

©2009

**WARNING!!**  
DO NOT CUT OR DAMAGE  
HEATIZON TUFF CABLE ELEMENT  
OR ITS INSULATOR IN ANY WAY.



**DETAIL**

NOT TO SCALE

DRAWING NO.:  
**RD-5**

**EAVE DETAIL - TUFF CABLE IN A HEATSINK  
KIT UNDER CONDUCTIVE ROOFING  
MATERIAL**

DRAWING BY:  
ACI

DATE:  
NOV 2009

**HEATIZON SYSTEMS**

*advanced floor heating/ snow and ice removal systems*

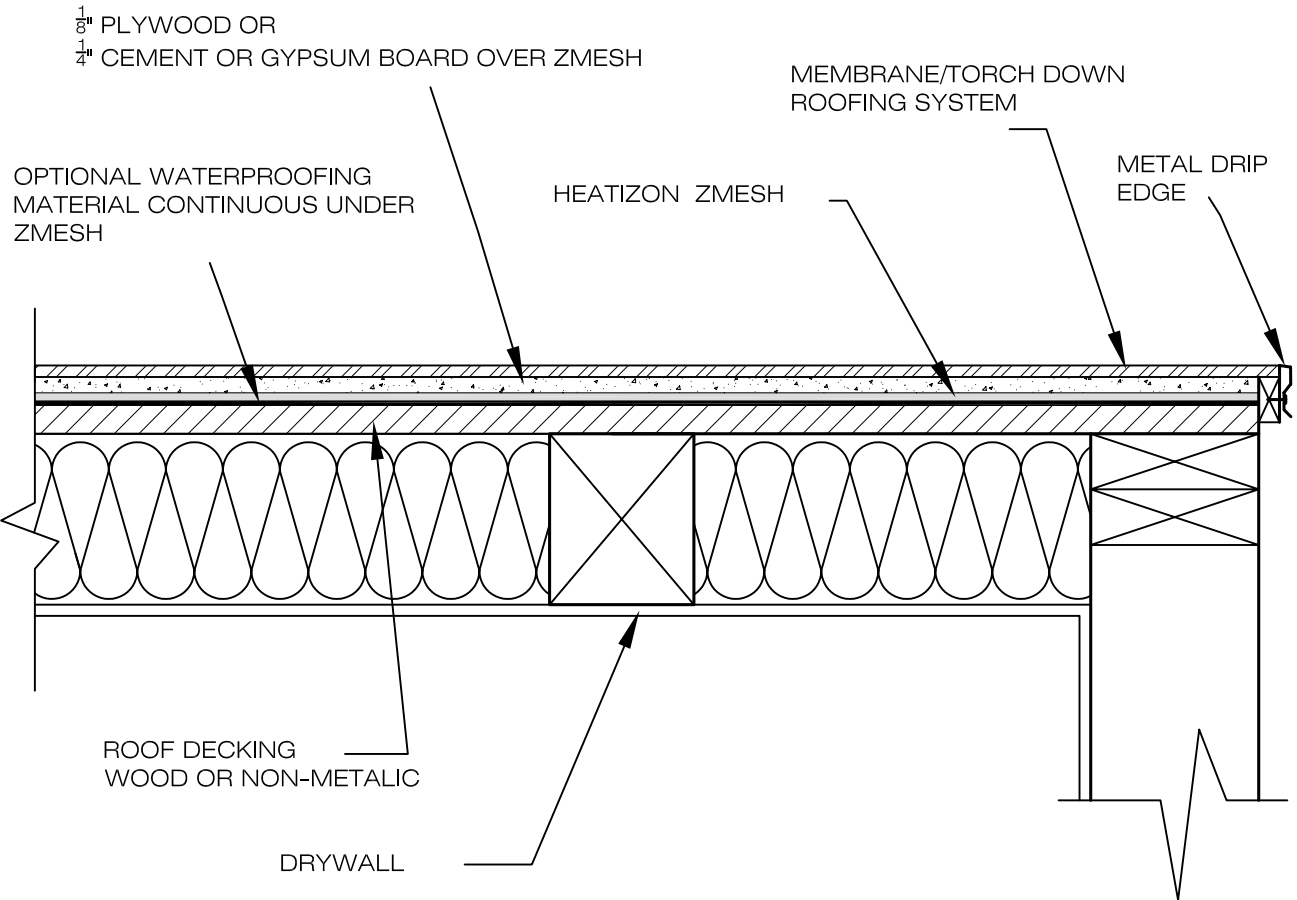
4137 SOUTH 500 WEST, MURRAY, UTAH 84123 PH (801) 293-1232 FAX (801) 293-3077

©2009

When installing Heatizon Systems products, strict compliance with the National Electrical Code, the Canadian Electrical Code, state and local buildings codes, and Heatizon Systems Design and Installation Manual is essential.



**WARNING!!**  
 DO NOT CUT OR DAMAGE ZMESH. DO NOT ALLOW ZMESH TO COME INTO CONTACT WITH ANY OTHER ELECTRICALLY CONDUCTIVE MATERIAL. DO NOT FASTEN THROUGH ANY ELECTRICALLY CONDUCTIVE MATERIAL AND ZMESH SIMULTANEOUSLY.



**NOTE:**  
 SINGLE PLY MEMBRANE (EPDM RECOMMENDED) OR 1/8" WOOD SHEATING TO COMPLETELY COVER ANY METAL AND SEPARATE METAL FROM ZMESH

DRAWING NO.:

**RD-6**

**FLAT ROOF - ZMESH UNDER MEMBRANE**

DRAWING BY:

ACI

DATE:

NOV 2009

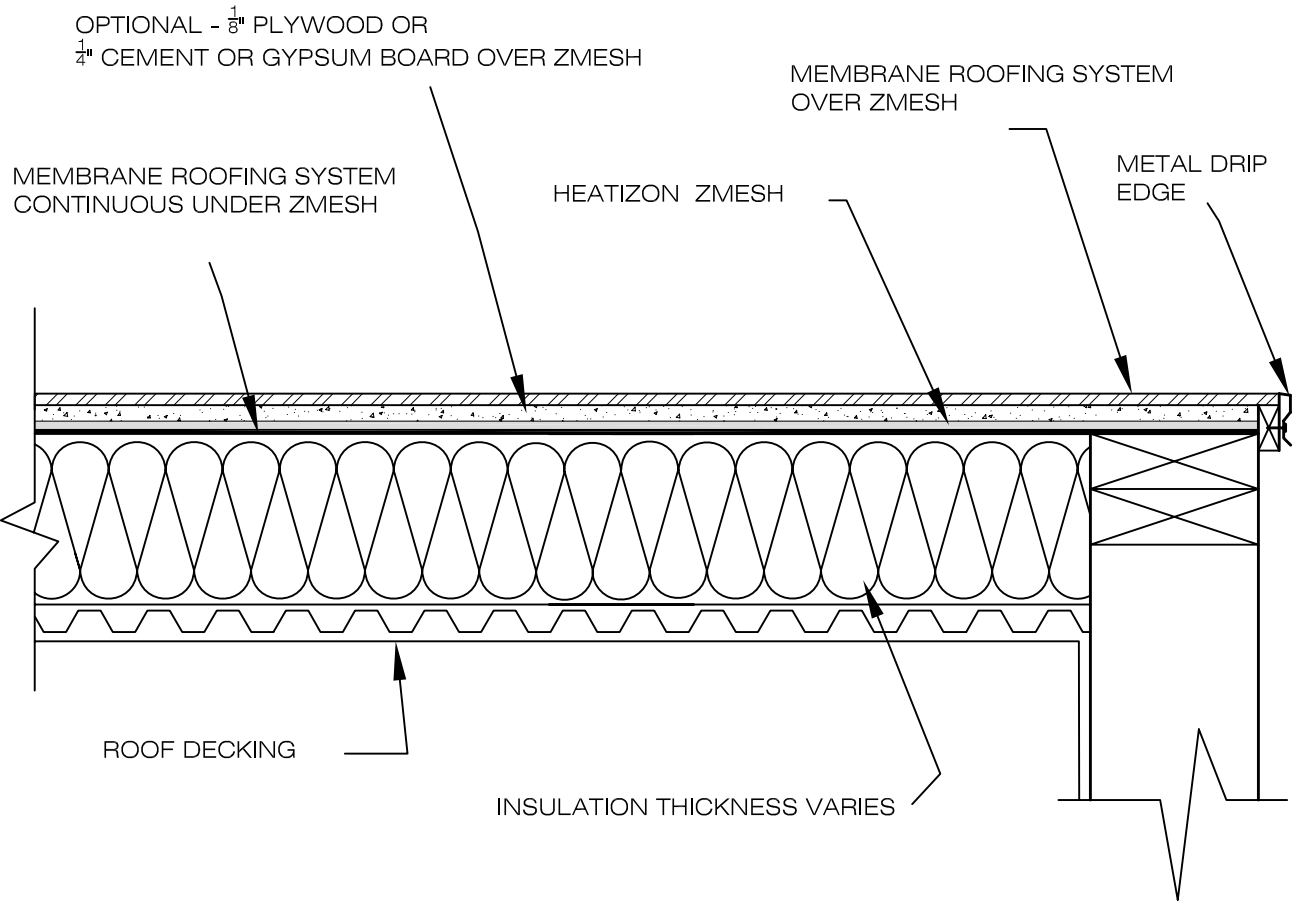
**HEATIZON SYSTEMS**

*advanced floor heating/ snow and ice removal systems*

4137 SOUTH 500 WEST, MURRAY, UTAH 84123 PH (801) 293-1232 FAX (801) 293-3077

©2009

**WARNING!!**  
 DO NOT CUT OR DAMAGE ZMESH. DO NOT ALLOW ZMESH TO COME INTO CONTACT WITH ANY OTHER ELECTRICALLY CONDUCTIVE MATERIAL. DO NOT FASTEN THROUGH ANY ELECTRICALLY CONDUCTIVE MATERIAL AND ZMESH SIMULTANEOUSLY.



**NOTE:**  
 SINGLE PLY MEMBRANE (EPDM RECOMMENDED) OR  $\frac{1}{8}$ " WOOD SHEATING TO COMPLETELY COVER ANY METAL AND SEPARATE METAL FROM ZMESH

DRAWING NO.:

**RD-7**

**FLAT ROOF - ZMESH OVER AND UNDER MEMBRANE**

DRAWING BY:

RJB

DATE:

APR 2013

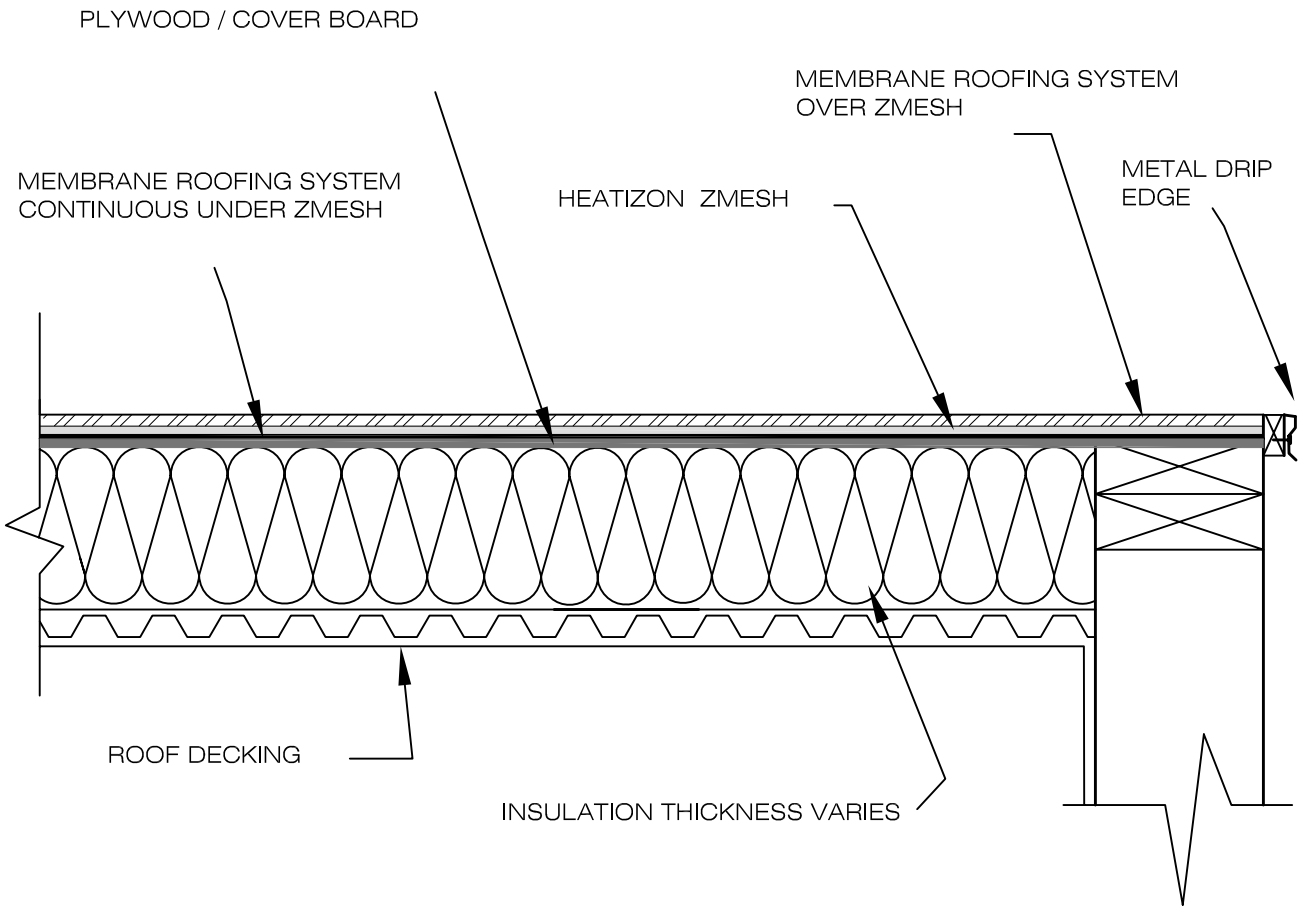
**HEATIZON SYSTEMS**

*advanced floor heating/ snow and ice removal systems*

4137 SOUTH 500 WEST, MURRAY, UTAH 84123 PH (801) 293-1232 FAX (801) 293-3077

©2013

**WARNING!!**  
 DO NOT CUT OR DAMAGE ZMESH. DO NOT ALLOW ZMESH TO COME INTO CONTACT WITH ANY OTHER ELECTRICALLY CONDUCTIVE MATERIAL. DO NOT FASTEN THROUGH ANY ELECTRICALLY CONDUCTIVE MATERIAL AND ZMESH SIMULTANEOUSLY.



**NOTE:**  
 SINGLE PLY MEMBRANE OR 1/8" WOOD SHEATING TO COMPLETELY COVER ANY METAL AND SEPARATE METAL FROM ZMESH

DRAWING NO.:

**RD-8**

**FLAT ROOF - ZMESH OVER AND UNDER MEMBRANE - NO PLYWOOD COVER**

DRAWING BY:

RJB

DATE:

MAY 2013

**HEATIZON SYSTEMS**

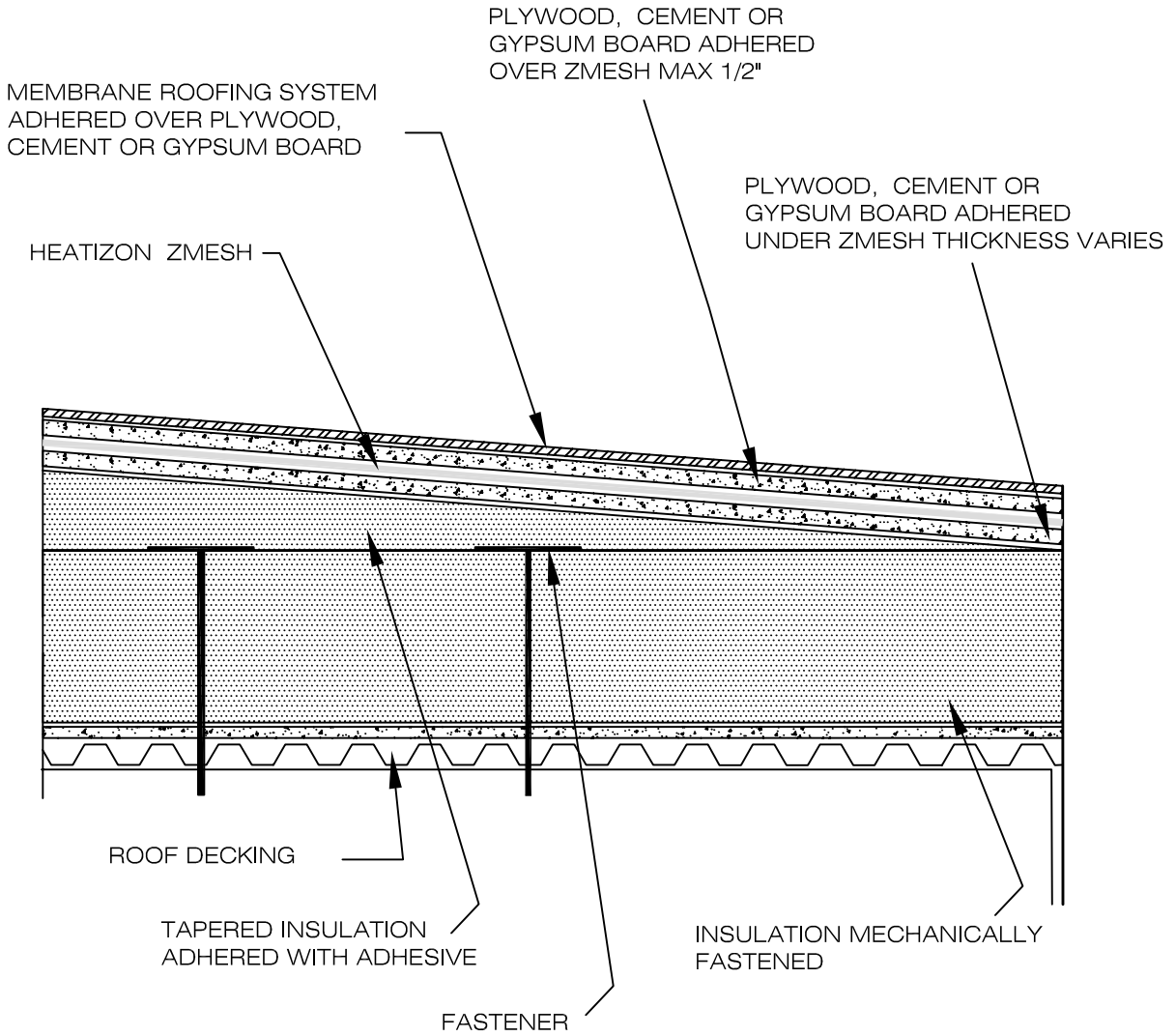
*advanced floor heating/ snow and ice removal systems*

4137 SOUTH 500 WEST, MURRAY, UTAH 84123 PH (801) 293-1232 FAX (801) 293-3077

©2013

**WARNING!!**

DO NOT CUT OR DAMAGE ZMESH. DO NOT ALLOW ZMESH TO COME INTO CONTACT WITH ANY OTHER ELECTRICALLY CONDUCTIVE MATERIAL. DO NOT FASTEN THROUGH ANY ELECTRICALLY CONDUCTIVE MATERIAL AND ZMESH SIMULTANEOUSLY. FASTENERS ARE ONLY TO BE INSTALLED WHERE MARKED BY DRAWINGS



**NOTE:**  
SINGLE PLY MEMBRANE OR 1/8" PLYWOOD TO COMPLETELY COVER ANY METAL AND SEPARATE METAL FROM ZMESH

DRAWING NO.:

**RD-9**

**ZMESH UNDER MEMBRANE OVER INSULATION AND ROOF DECKING**

DRAWING BY:

RJB

DATE:

JAN 2014

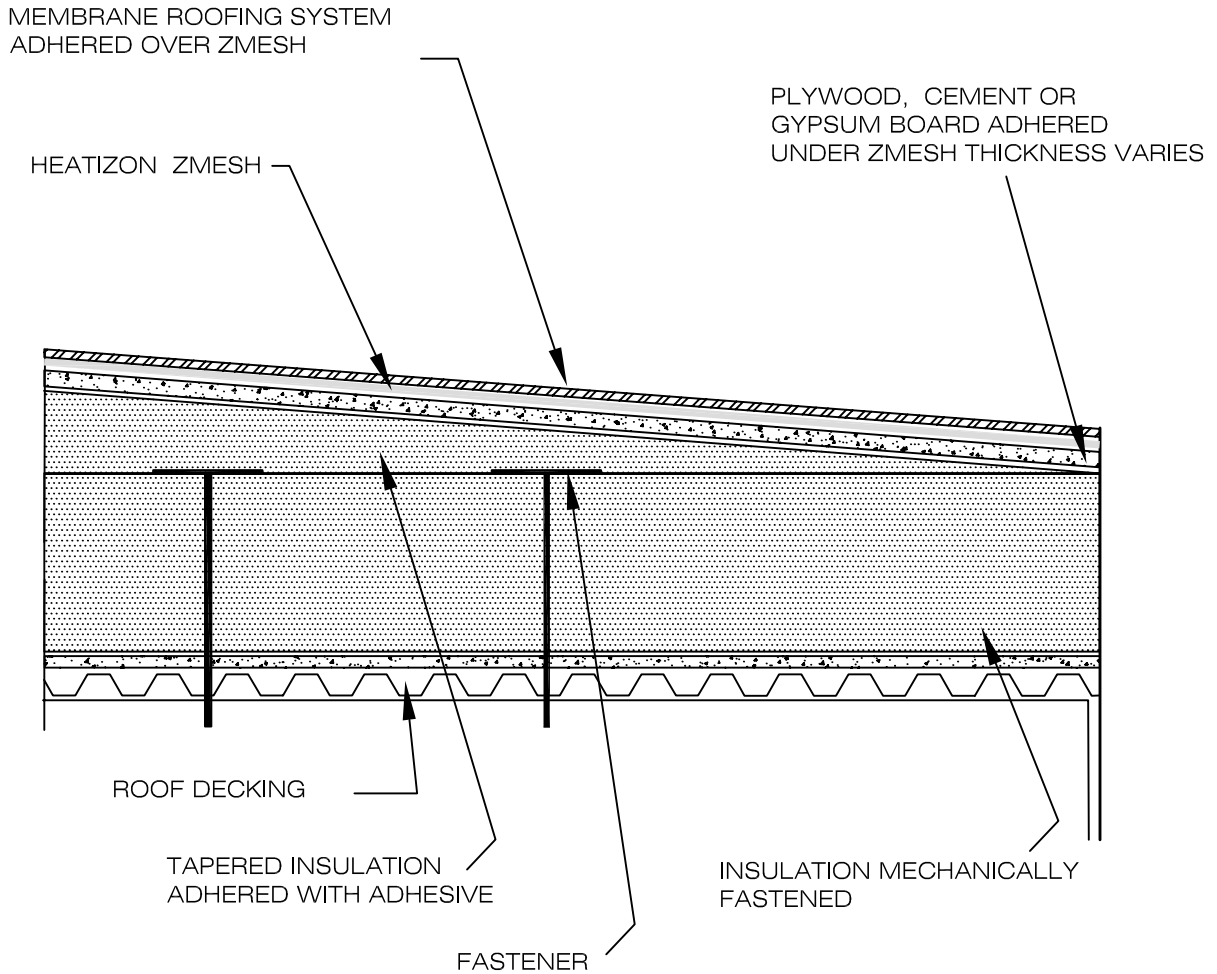
**HEATIZON SYSTEMS**

*advanced floor heating/ snow and ice removal systems*

4137 SOUTH 500 WEST, MURRAY, UTAH 84123 PH (801) 293-1232 FAX (801) 293-3077

©2014

**WARNING!!**  
 DO NOT CUT OR DAMAGE ZMESH. DO NOT ALLOW ZMESH TO COME INTO CONTACT WITH ANY OTHER ELECTRICALLY CONDUCTIVE MATERIAL. DO NOT FASTEN THROUGH ANY ELECTRICALLY CONDUCTIVE MATERIAL AND ZMESH SIMULTANEOUSLY. FASTENERS ARE ONLY TO BE INSTALLED WHERE MARKED BY DRAWINGS



**NOTE:**  
 SINGLE PLY MEMBRANE OR 1/8" PLYWOOD TO COMPLETELY COVER ANY METAL AND SEPARATE METAL FROM ZMESH

DRAWING NO.:

**RD-10**

**ZMESH UNDER MEMBRANE OVER INSULATION AND ROOF DECKING**

DRAWING BY:

RJB

DATE:

FEB 2014

**HEATIZON SYSTEMS**

*advanced floor heating/ snow and ice removal systems*

4137 SOUTH 500 WEST, MURRAY, UTAH 84123 PH (801) 293-1232 FAX (801) 293-3077

©2014